

45300

LEGO and the LEGO logo are trademarks of the/sonit des marques de commerce  
du/son marcas registradas de LEGO Group. ©2015 The LEGO Group. 088360.

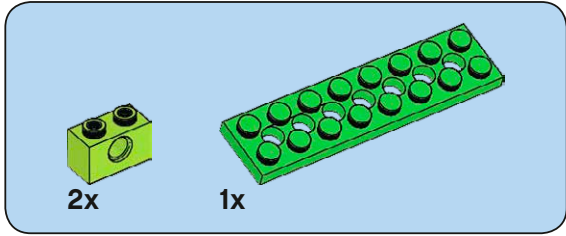


education

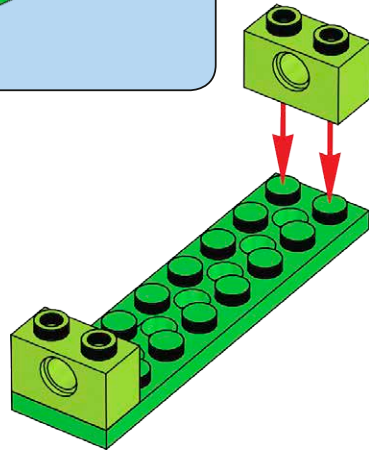


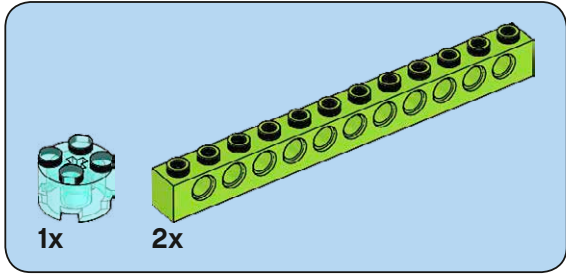
**45300**

LEGO and the LEGO logo are trademarks of the/son des marques de commerce  
du/son marcas registradas de LEGO Group. ©2015 The LEGO Group. 088360.

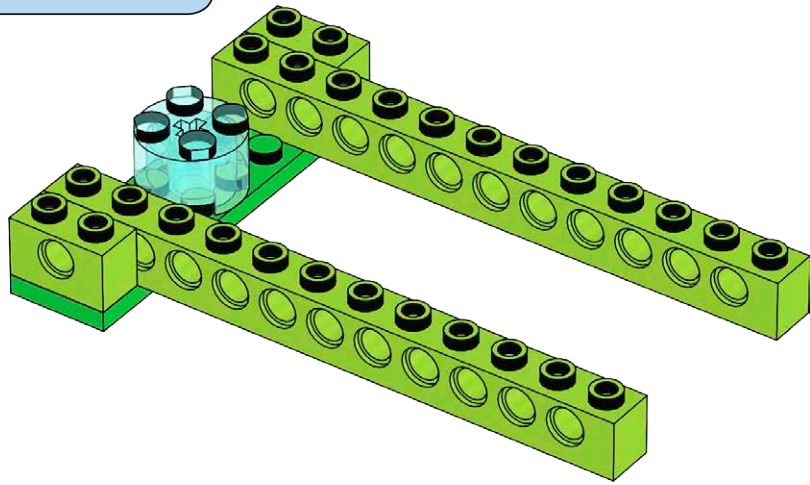


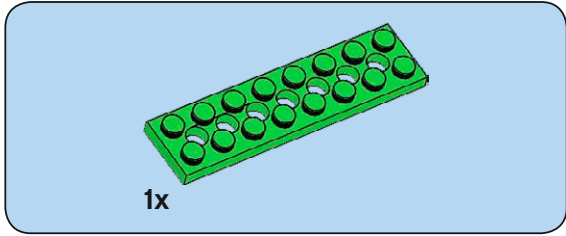
1



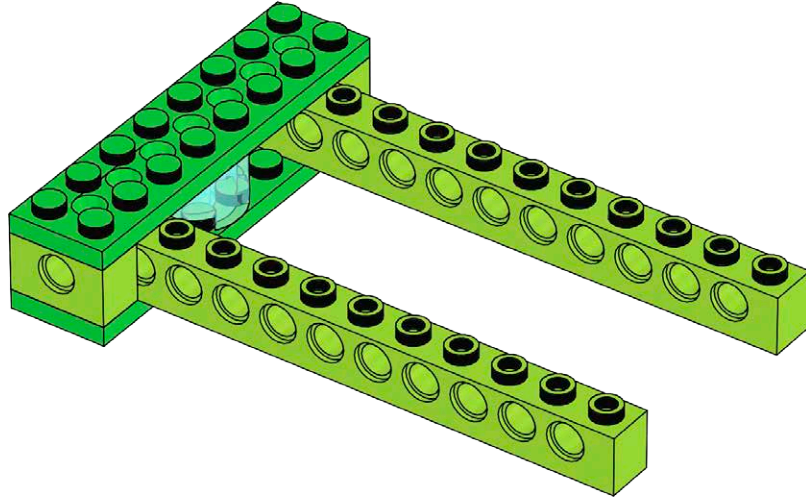


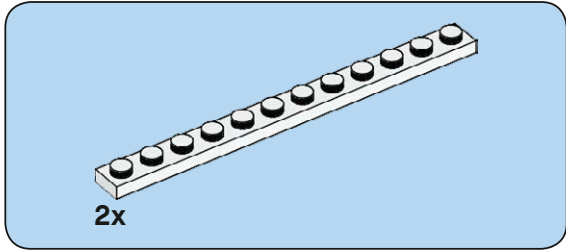
2



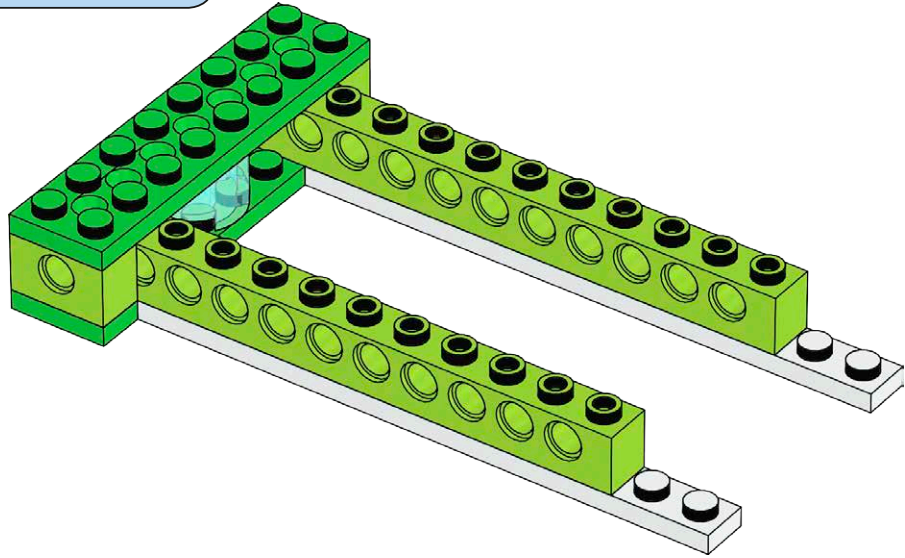


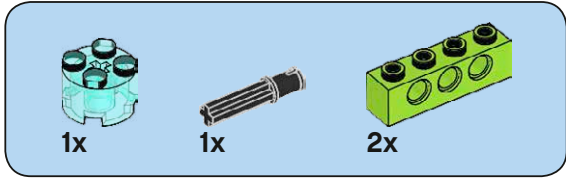
**3**



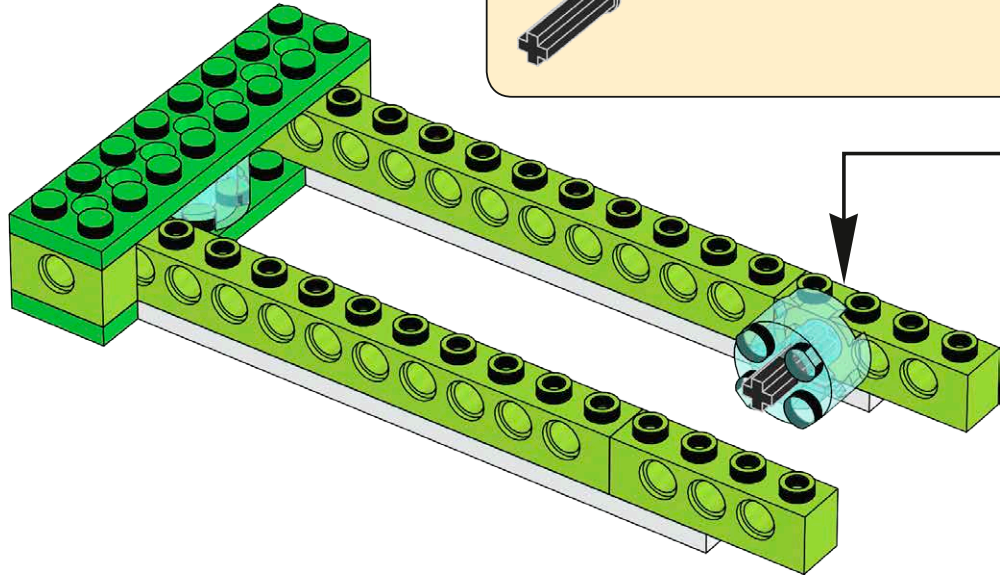
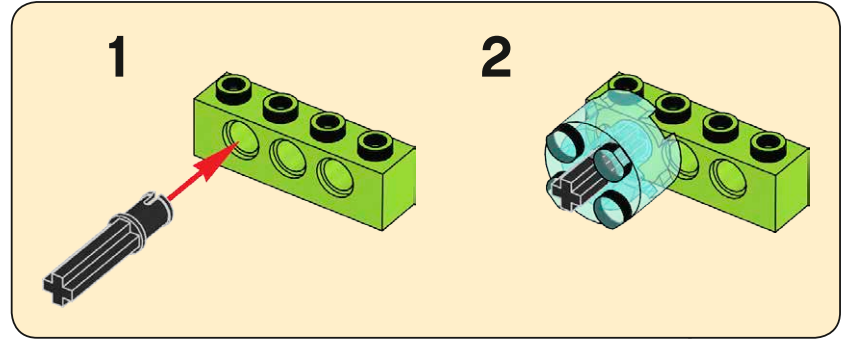


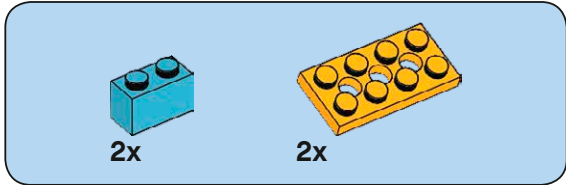
4



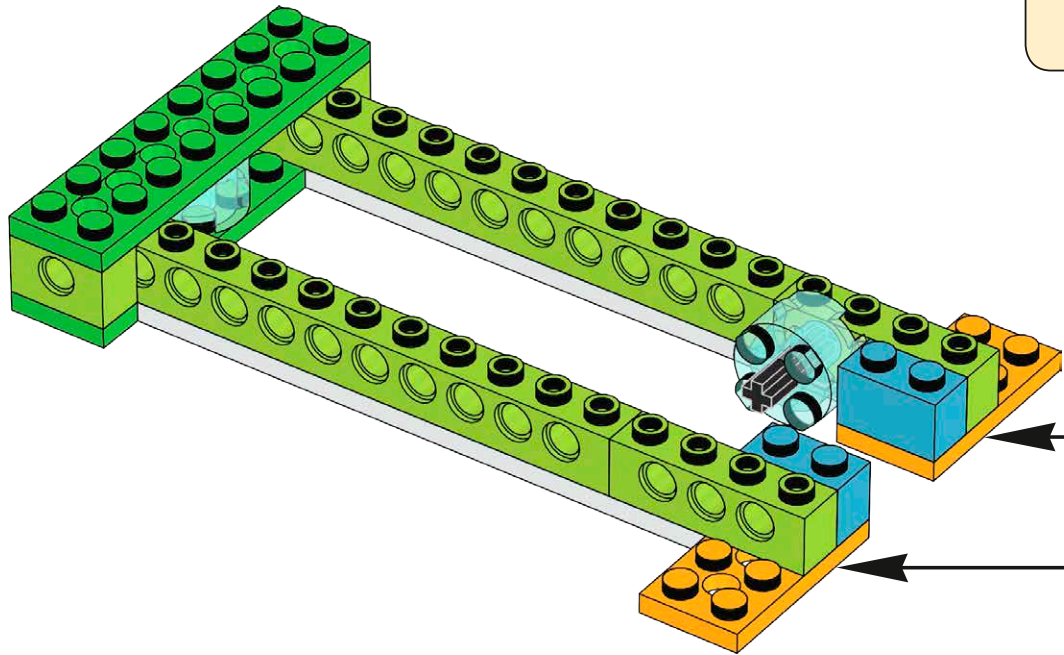
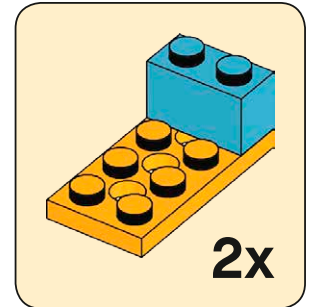


5

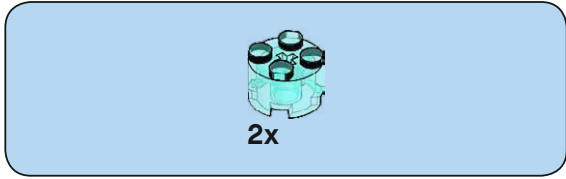




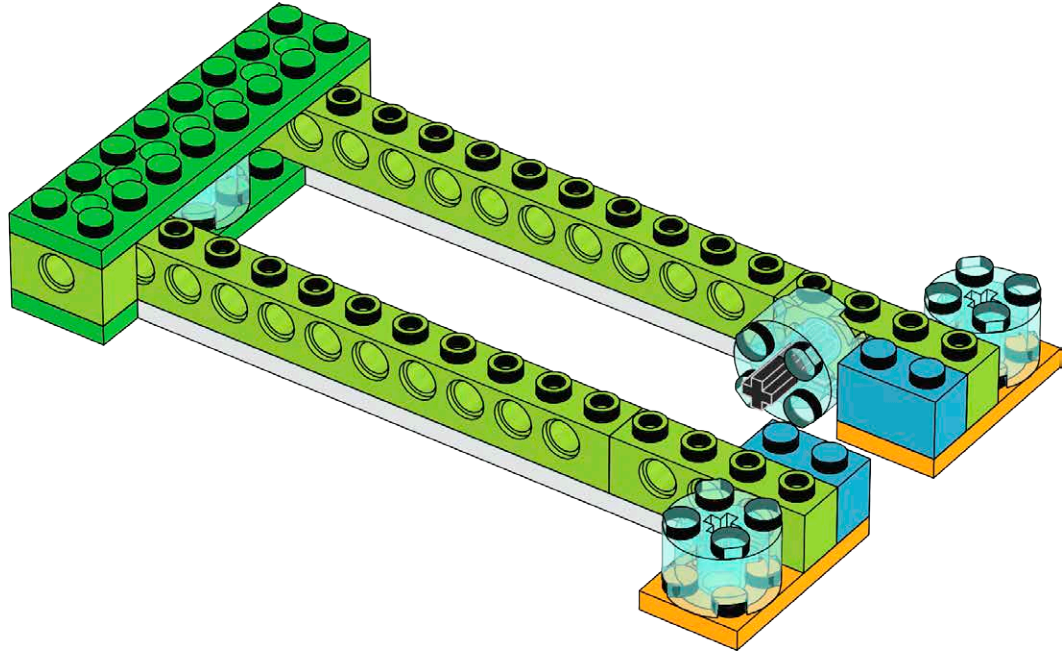
6

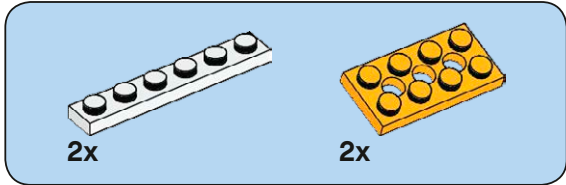




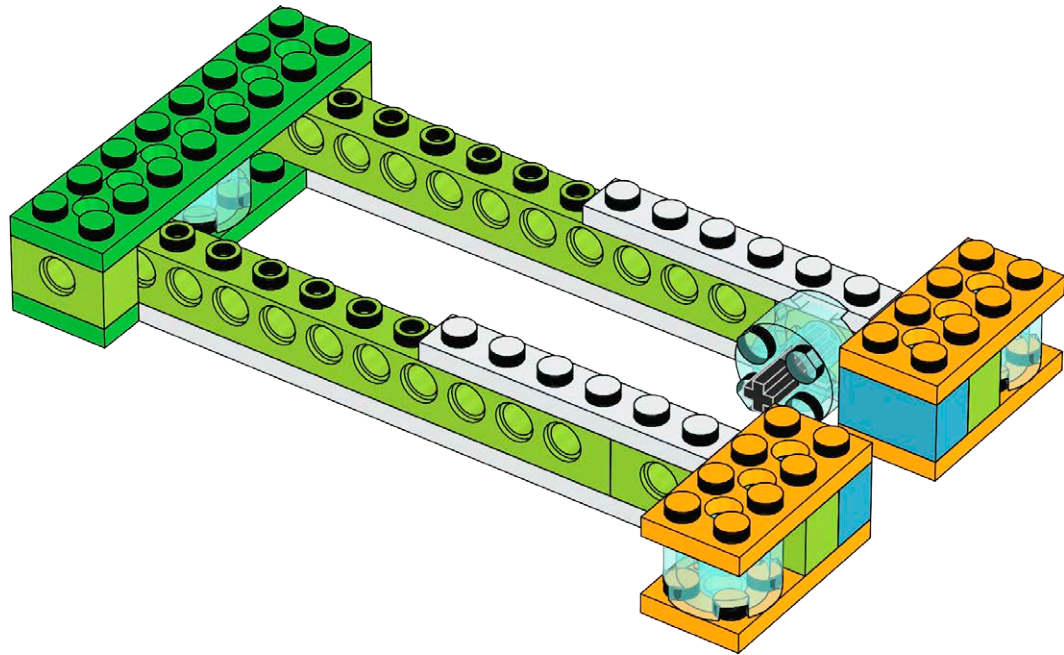


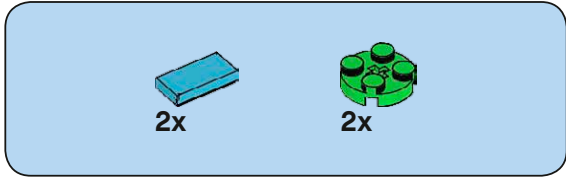
7



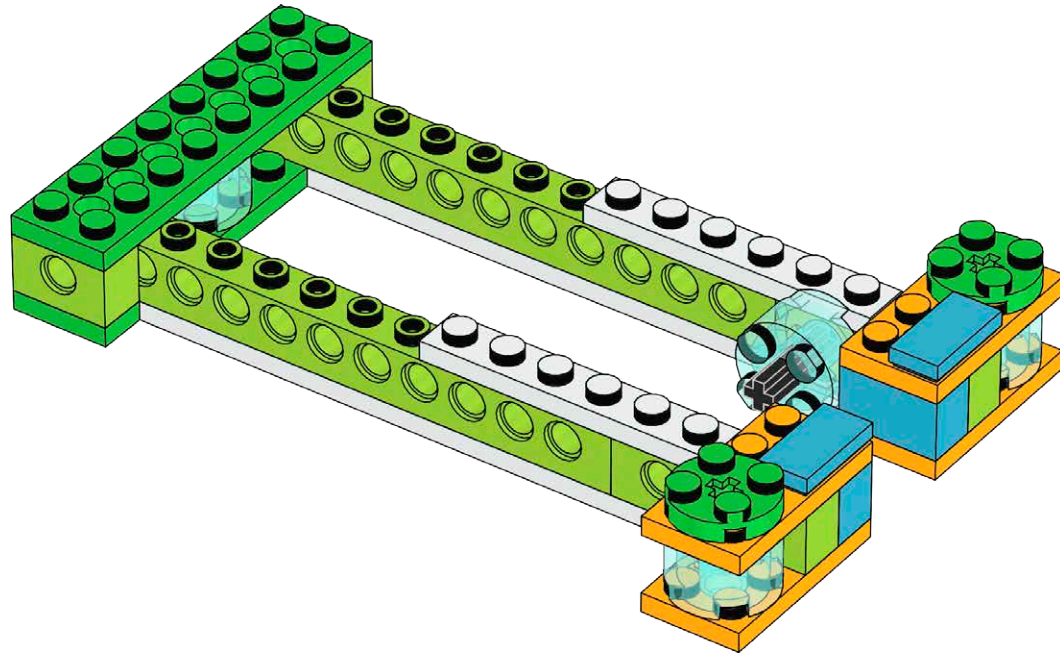


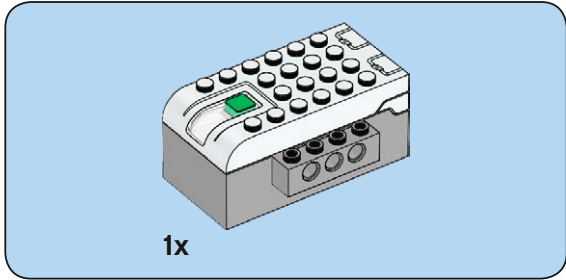
8



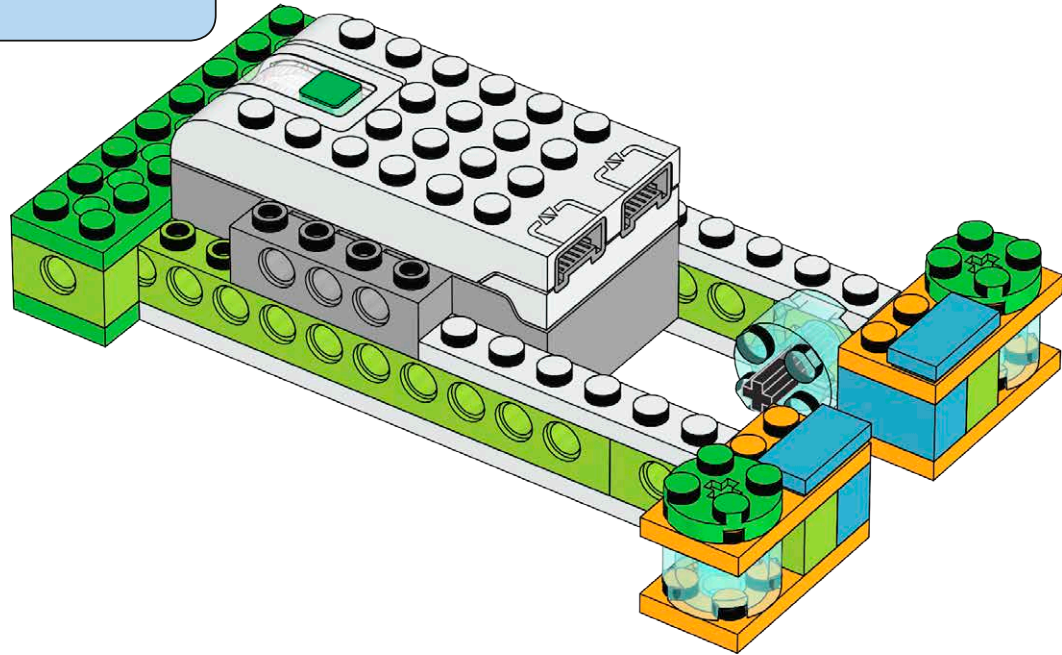


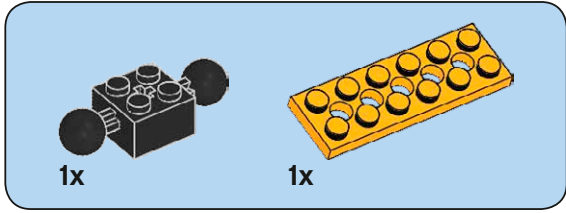
9



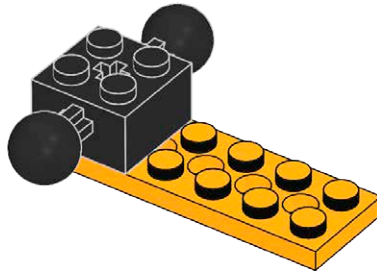


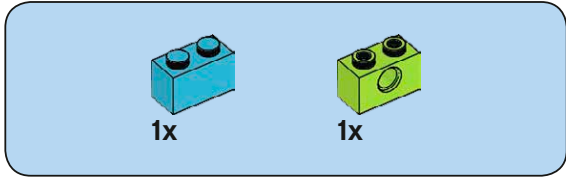
10



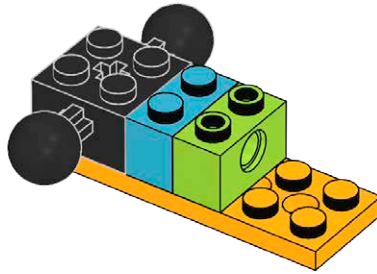


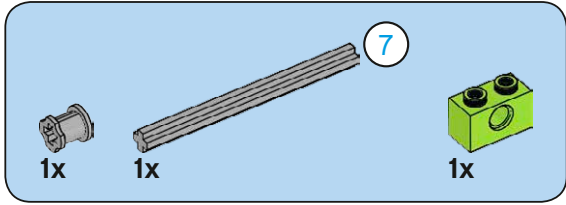
11



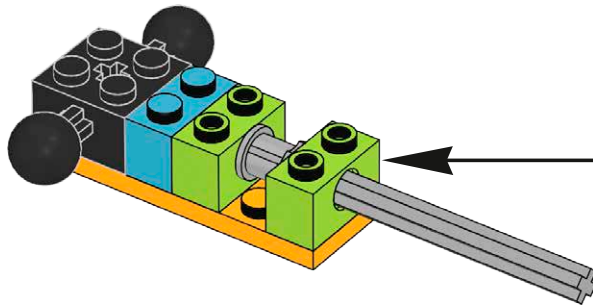
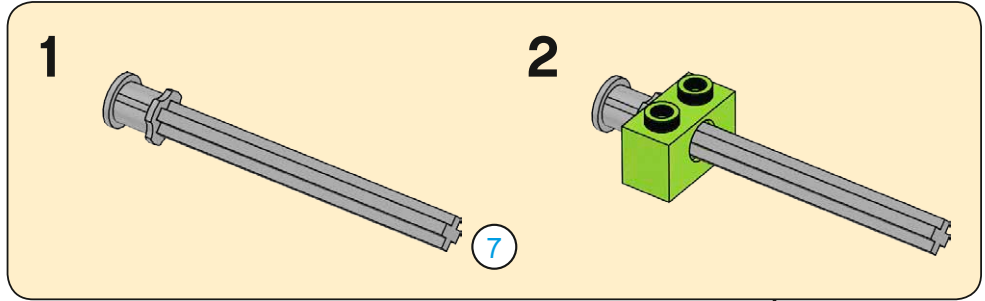


12

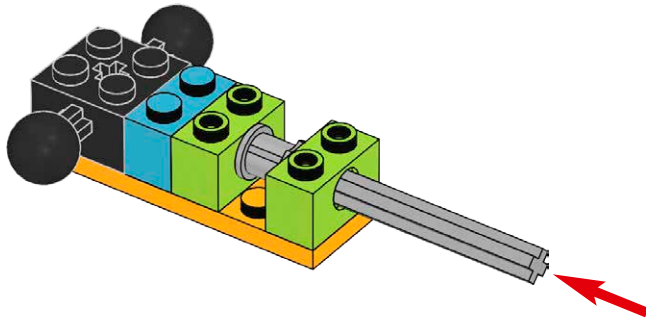




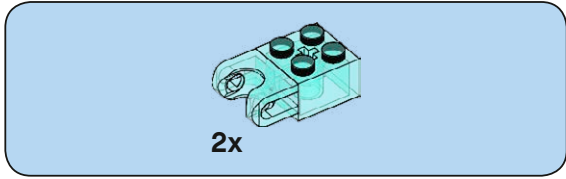
13



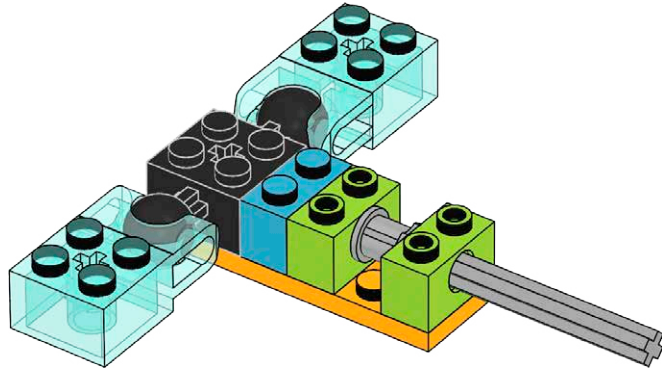
14

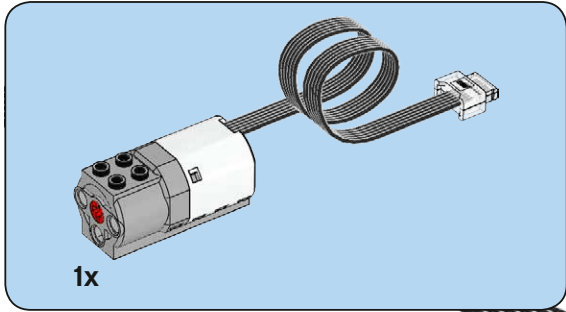






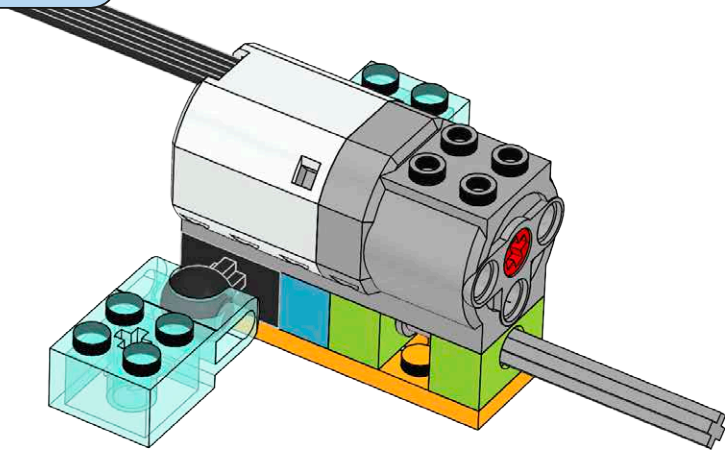
15

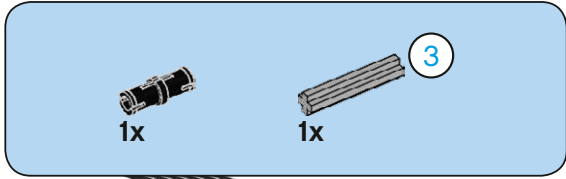




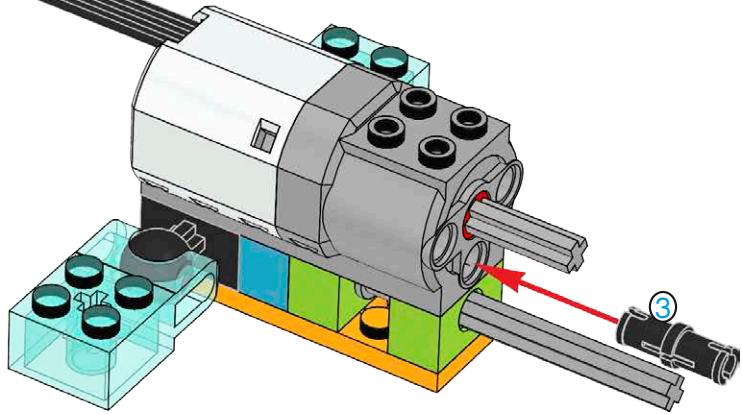
1x

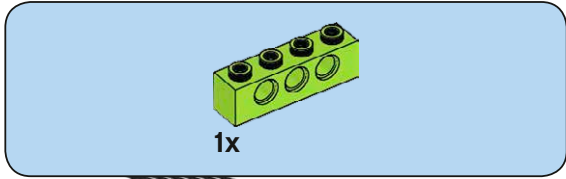
16



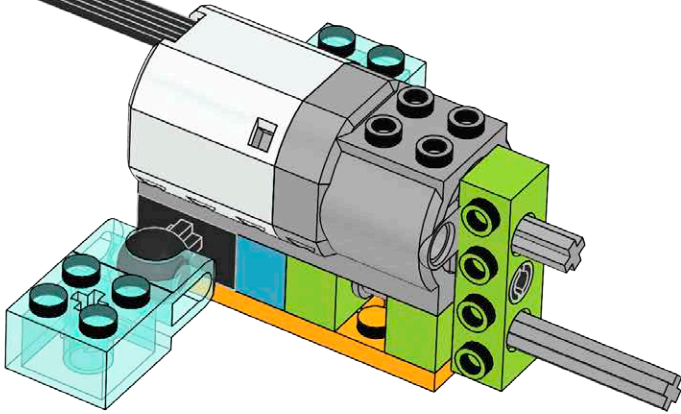


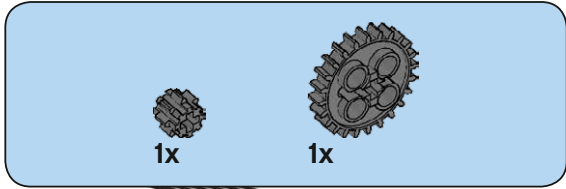
17



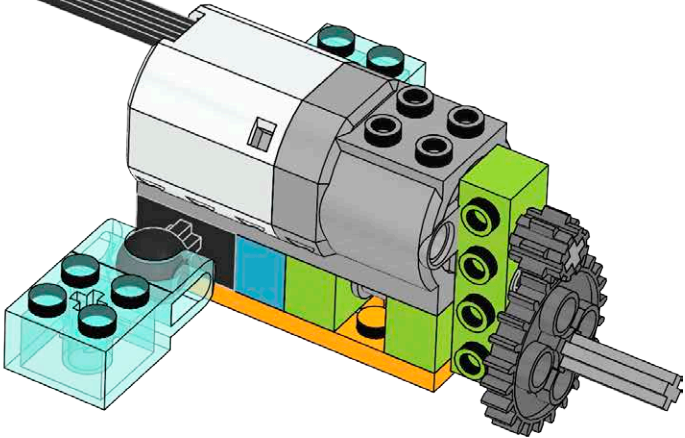


18

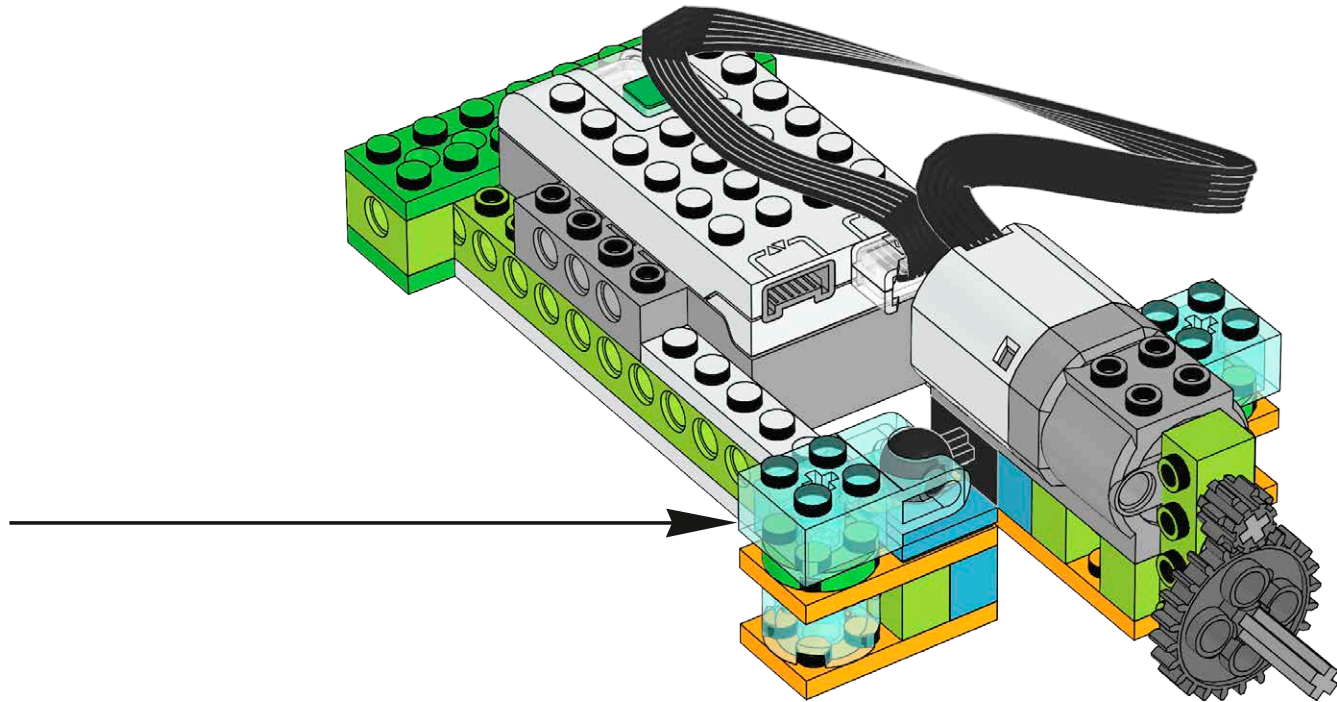


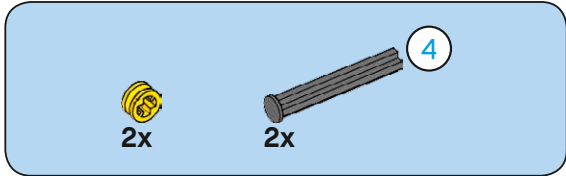


19

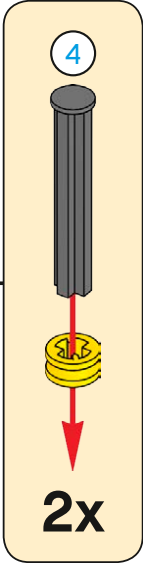
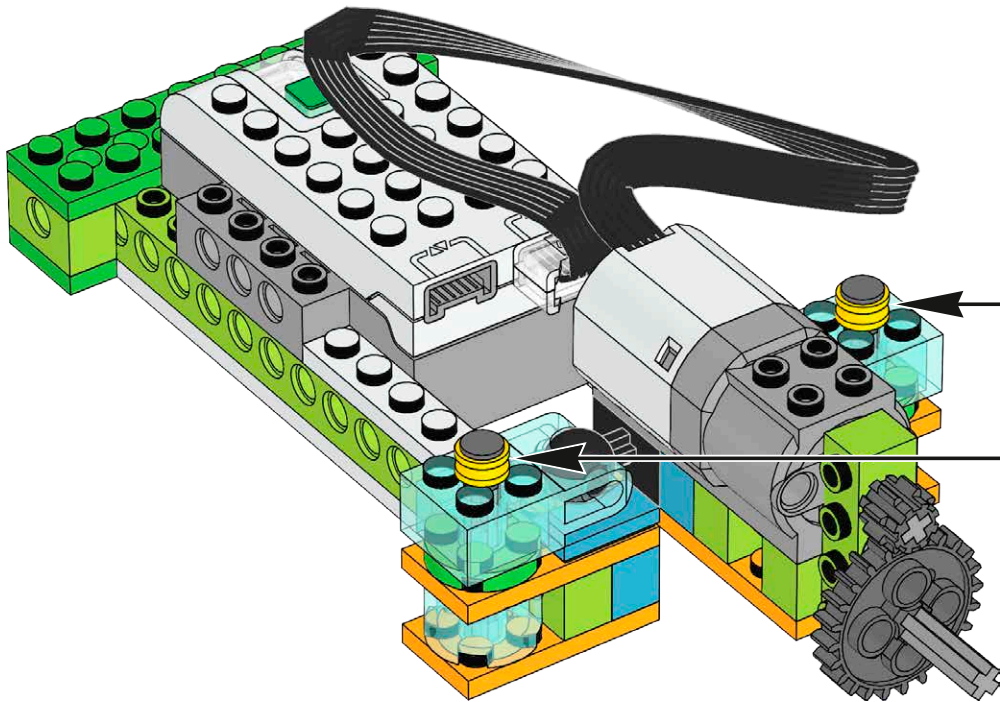


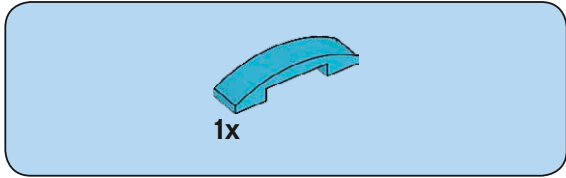
20



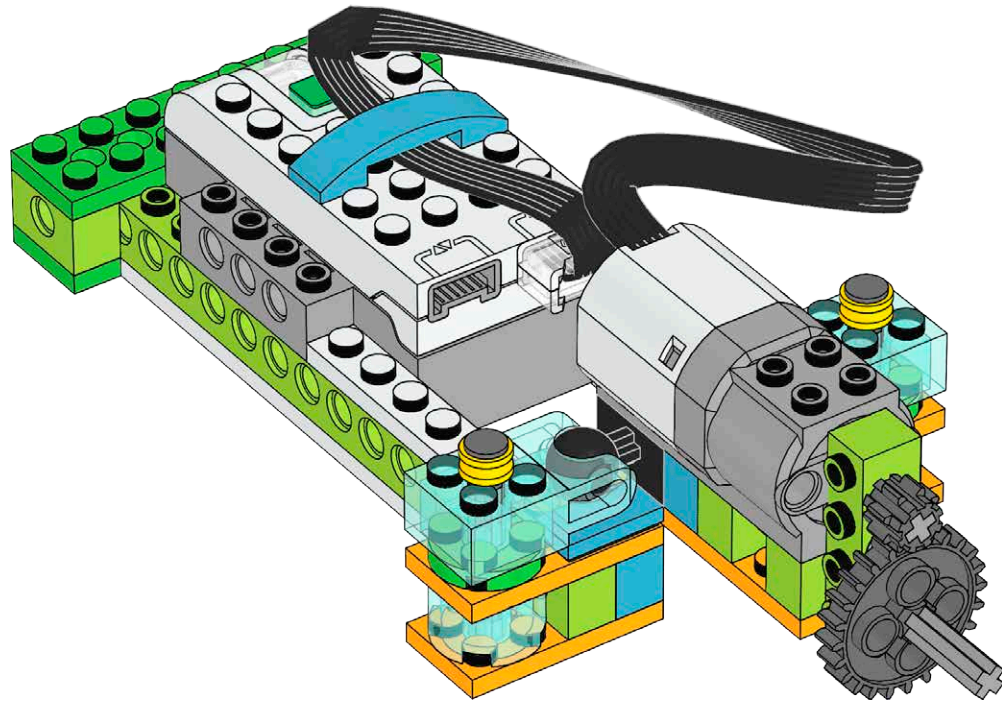


21





22





23

